

A1201 SERIES

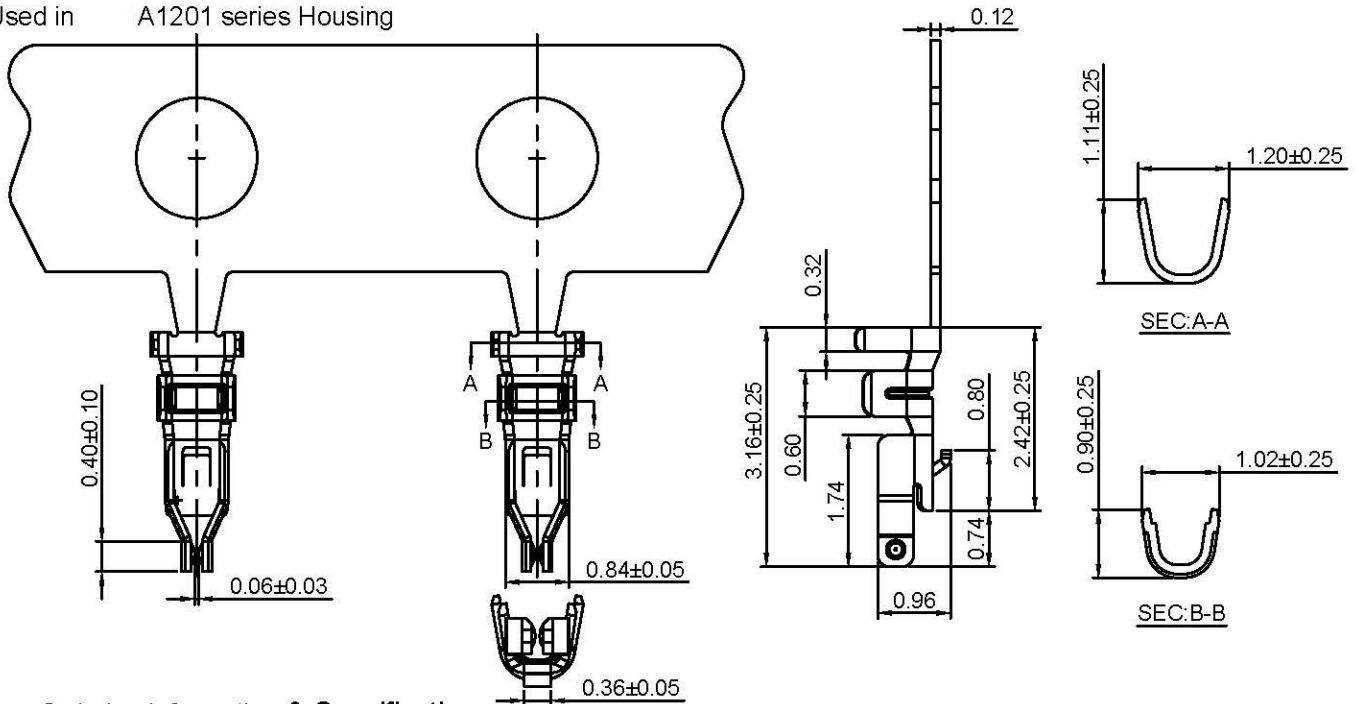
1.20mm pitch wire to board connector

A1201-T

1.20mm pitch Crimp Terminal

Reference Informations:

*Used in A1201 series Housing



Ordering information & Specifications:

Unit:mm

Part NO.	Wire Range	Insulation O.D.	Material	Finish	Qty/reel
A1201-GP	AWG#28-#30	0.50mm(max)	Copper Alloy	Gold over Nickel	30,000 PCS

A1201H

1.20mm pitch Housing

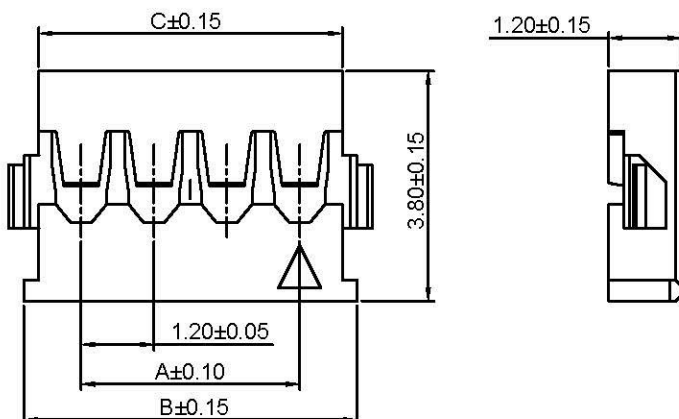
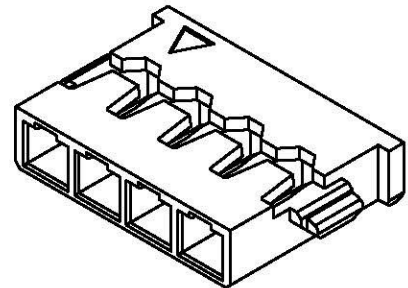
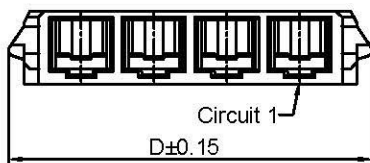
Reference Informations:

*Material:Nylon htn,UL94V-0

*Suitable A1201 series Terminal

*Mates with A1201 series Wafer

*Color:Black



Ordering Information & Dimensions:

PART NO.	Dimensions			
	A	B	C	D
A1201H-2P	1.20	3.10	2.60	3.60
A1201H-3P	2.40	4.30	3.80	4.80
A1201H-4P	3.60	5.50	5.00	6.00
A1201H-5P	4.80	6.70	6.20	7.20
A1201H-6P	6.00	7.90	7.40	8.40
A1201H-7P	7.20	9.10	8.60	9.60
A1201H-8P	8.40	10.30	9.80	10.80
A1201H-9P	9.60	11.50	11.00	12.00
A1201H-10P	10.80	12.70	12.20	13.20
A1201H-11P	12.00	13.90	13.40	14.40
A1201H-12P	13.20	15.10	14.60	15.60
A1201H-13P	14.40	16.30	15.80	16.80
A1201H-14P	15.60	17.50	17.00	18.00
A1201H-15P	16.80	18.70	18.20	19.20

Unit: mm